

## D #1022 Seawater

### Application: SEAWATER

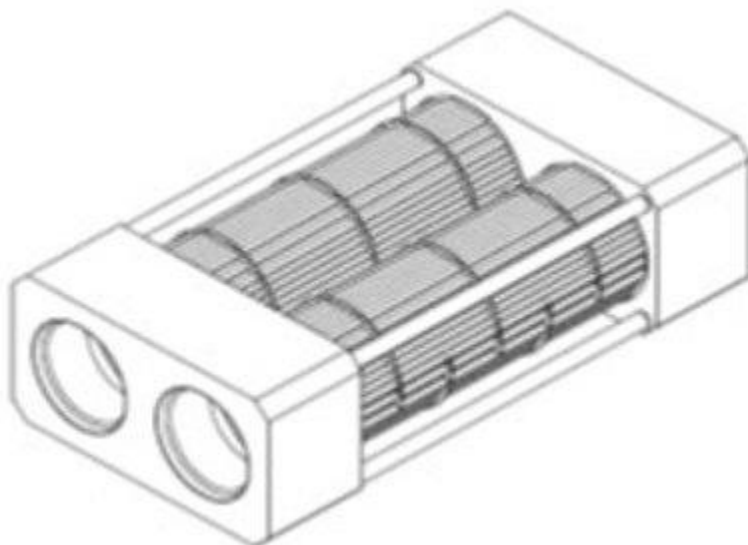
The customer needs an underwater heat exchanger to accommodate their 3 possible scenarios. All of which are at 2.5 gpm: 137F-122F, 128F-113F and 119F-104F. Seawater will be at a temperature of 85F and 5500 psi. Because it is seawater a corrosion resistant alloy will be necessary.

### Solution

- Shell & Tube Heat Exchanger, 54 series
- Underwater HX
- Hastelloy C-276

### Features & Benefits

- Corrosion resistant alloy
- Completely customized



---

#### How to contact Exergy

Please call 1-516-832-9300  
or visit [www.exergyllc.com](http://www.exergyllc.com)  
to locate your local rep.