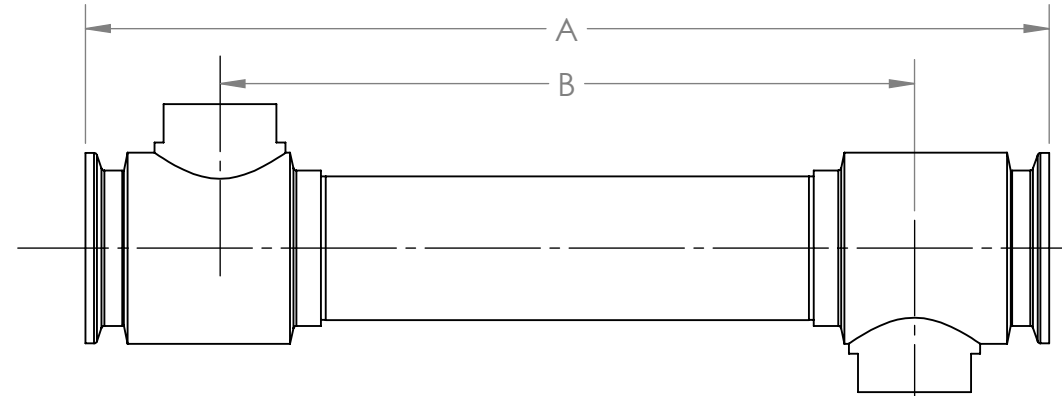
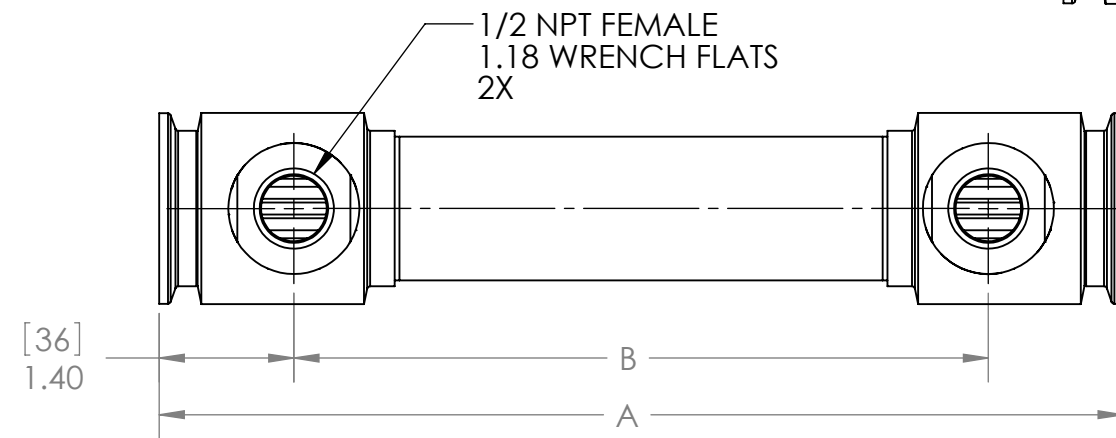
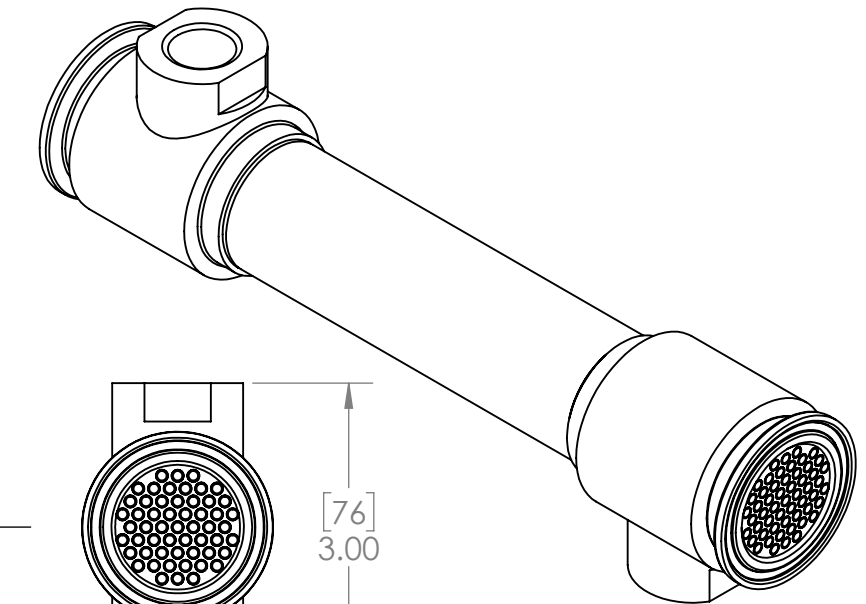


NOTES:

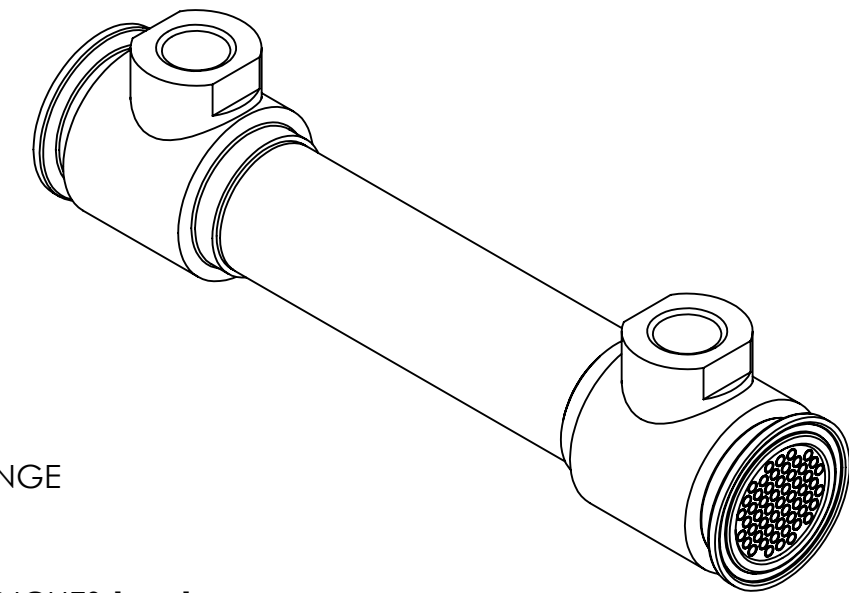
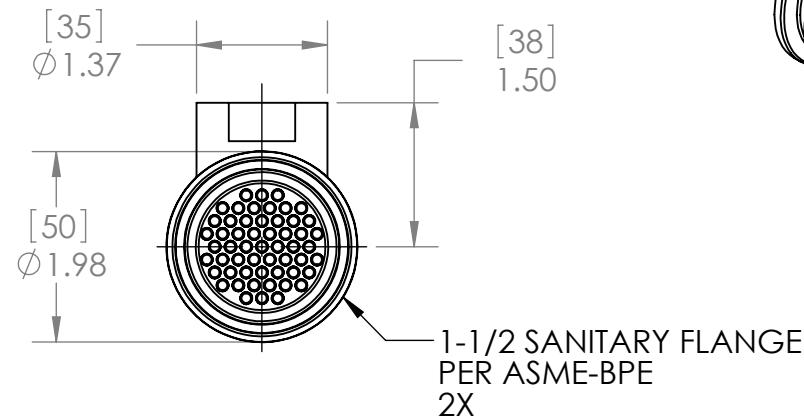
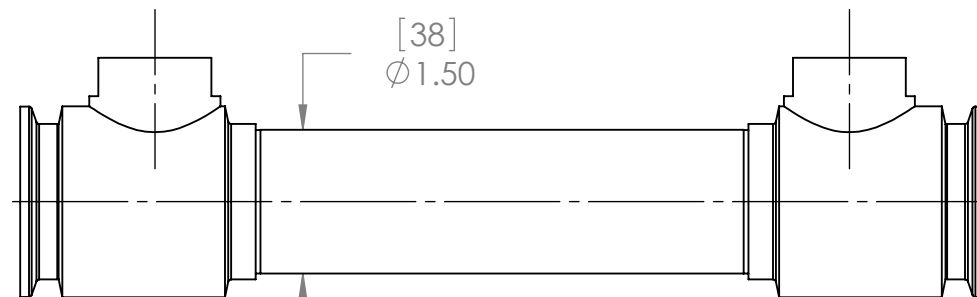
1. MATERIAL: 316L STAINLESS STEEL, NICKEL BRAZED.
2. PRODUCT CONTACT SURFACE FINISH CODE PER ASME-BPE:
SF1: 20 µin. (.5 µm) Ra MAX
SF4: 15 µin. (.4 µm) Ra MAX, ELECTROPOLISHED.
3. ALL EXTERNAL SURFACES BUFF POLISH FINISH.
4. MAXIMUM OPERATING CONDITIONS:
 - PRESSURE: TUBESIDE - 1,200 psi (83 bar)
SHELLSIDE - 800 psi (55 bar)
(REFER TO SANITARY CLAMP MANUFACTURER FOR CLAMP PRESSURE RATING)
 - TEMPERATURE: 800°F (425°C)
 - PRESSURE FOR STEAM SERVICE: 125 psi (8.6 bar)
 - FLUID TEMPERATURE DIFFERENCE:
(T_{HOT})_{AVE} - (T_{COLD})_{AVE} ≤ 125°F (70°C)
5. FULLY DRAINABLE ON TUBESIDE.
6. MATERIAL AND PROCESS CERTIFICATIONS PROVIDED.



CONFIGURATION W

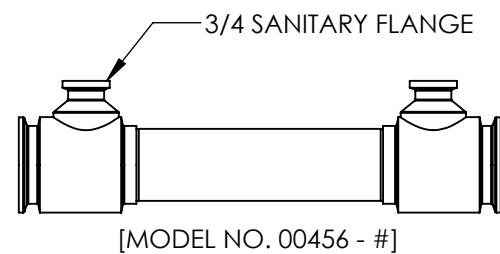


CONFIGURATION V



ALL DIMENSIONS ARE IN INCHES [mm]

ALSO AVAILABLE



DOUBLE TUBESHEET VERSIONS:

- MODEL 01095 - # (1/2NPT SHELL PORT)
- MODEL 01085 - # (3/4 SANITARY FLANGE SHELL PORT)

MOUNTING KIT:

- MODEL 00421-03

PROPRIETARY AND CONFIDENTIAL

THE INFORMATION CONTAINED IN THIS DOCUMENT IS THE SOLE PROPERTY OF EXERGY, LLC. ANY REPRODUCTION, DISCLOSURE, OR USE, IN PART OR AS A WHOLE, WITHOUT THE WRITTEN PERMISSION OF EXERGY, LLC IS PROHIBITED.

PRODUCT SPECIFICATIONS SUBJECT TO CHANGE WITHOUT NOTICE. MANUFACTURER ASSUMES NO LIABILITY FOR MISUSE OR ABUSE OF PRODUCT. SPECIFIC WARRANTY INFORMATION IS AVAILABLE UPON REQUEST.

THIRD ANGLE PROJECTION



320 ENDO BLVD.
GARDEN CITY, NY 11530
USA (516)832-9300
www.exergyllc.com

**SHELL & TUBE HEAT EXCHANGER
35 SERIES SANITARY
SINGLE TUBESHEET**

MODEL NO. **00455 - #**
DATE 12/13/2018 SCALE 1:2 SHEET 1 OF 2

MODEL NO.

00455 - #

- #	TUBE COUNT	TUBE LENGTH		CONFIGURATION	PRODUCT CONTACT SURFACE FINISH (NOTE 2)	DIM A		DIM B		WEIGHT EMPTY		TRANSF			
		in	mm			in	mm	lb	kg	ft²					
-01	55	10.00	254	V	SF4	10.04	255	7.23	184	3.43	1.6	1.43			
-02		15.00	381			15.04	382	12.23	311	4.21	1.9	2.18			
-03		20.00	508			20.04	509	17.23	438	4.99	2.3	2.93			
-07		10.00	254			10.04	255	7.23	184	3.43	1.6	1.43			
-08		15.00	381			15.04	382	12.23	311	4.21	1.9	2.18			
-09		20.00	508			20.04	509	17.23	438	4.99	2.3	2.93			
-10		10.00	254	10.04	W	SF4	10.04	255	7.23	184	3.43	1.6	1.43		
-11		15.00	381	15.04			382	12.23	311	4.21	1.9	2.18			
-12		20.00	508	20.04			509	17.23	438	4.99	2.3	2.93			
-13		10.00	254	10.04			255	7.23	184	3.43	1.6	1.43			
-14		15.00	381	15.04			382	12.23	311	4.21	1.9	2.18			
-15		20.00	508	20.04			509	17.23	438	4.99	2.3	2.93			
-20		91	10.00	254	V	SF4	10.04	255	7.23	184	3.43	1.6	1.78		
-21			15.00	381			15.04	382	12.23	311	3.83	1.7	2.71		
-22			20.00	508			20.04	509	17.23	438	4.98	2.3	3.65		
-23	10.00		254	10.04			255	7.23	184	3.43	1.6	1.78			
-24	15.00		381	15.04			382	12.23	311	3.83	1.7	2.71			
-25	20.00		508	20.04			509	17.23	438	4.98	2.3	3.65			
-26	55	25.00	635	V	SF4	25.04	636	22.23	565	5.76	2.6	3.68			
-27		30.00	762			30.04	763	27.23	692	6.56	3.0	4.43			
-28		25.00	635			25.04	636	22.23	565	5.76	2.6	3.68			
-29		30.00	762			30.04	763	27.23	692	6.56	3.0	4.43			
-30		91	25.00			635	V	SF4	25.04	636	22.23	565	5.75	2.6	4.58
-31			30.00			762			30.04	763	27.23	692	6.53	3.0	5.51
-32	25.00		635	25.04	636	22.23			565	5.75	2.6	4.58			
-33	30.00		762	30.04	763	27.23			692	6.53	3.0	5.51			
-34	40.00		1016	40.04	1017	37.23			946	8.05	3.7	7.38			
-35	40.00		1016	40.04	1017	37.23			946	8.05	3.7	7.38			
-36	55	40.00	1016	V	SF4	40.04	1017	37.23	946	8.07	3.7	5.93			
-37		40.00	1016			40.04	1017	37.23	946	8.07	3.7	5.93			
-38		25.00	635			25.04	636	22.23	565	5.76	2.6	3.68			
-39		30.00	762			30.04	763	27.23	692	6.56	3.0	4.43			
-40		40.00	1016			40.04	1017	37.23	946	8.07	3.7	5.93			
-41		25.00	635			25.04	636	22.23	565	5.76	2.6	3.68			
-42	91	30.00	762	W	SF1	30.04	763	27.23	692	6.56	3.0	4.43			
-43		40.00	1016			40.04	1017	37.23	946	8.07	3.7	5.93			
-44		10.00	254			10.04	255	7.23	184	3.43	1.6	1.78			
-45		15.00	381			15.04	382	12.23	311	3.83	1.7	2.71			
-46		20.00	508			20.04	509	17.23	438	4.98	2.3	3.65			
-47		25.00	635			25.04	636	22.23	565	5.75	2.6	4.58			
-48	91	30.00	762	W	SF4	30.04	763	27.23	692	6.53	3.0	5.51			
-49		40.00	1016			40.04	1017	37.23	946	8.05	3.7	7.38			
-50		10.00	254			10.04	255	7.23	184	3.43	1.6	1.78			
-51		15.00	381			15.04	382	12.23	311	3.83	1.7	2.71			
-52		20.00	508			20.04	509	17.23	438	4.98	2.3	3.65			
-53		25.00	635			25.04	636	22.23	565	5.75	2.6	4.58			
-54	91	30.00	762	W	SF1	30.04	763	27.23	692	6.53	3.0	5.51			
-55		40.00	1016			40.04	1017	37.23	946	8.05	3.7	7.38			

MODEL NO.

00455 - #

PROPRIETARY AND CONFIDENTIAL
 THE INFORMATION CONTAINED IN THIS DOCUMENT IS THE SOLE PROPERTY OF EXERGY, LLC. ANY REPRODUCTION, DISCLOSURE, OR USE, IN PART OR AS A WHOLE, WITHOUT THE WRITTEN PERMISSION OF EXERGY, LLC IS PROHIBITED.

PRODUCT SPECIFICATIONS SUBJECT TO CHANGE WITHOUT NOTICE. MANUFACTURER ASSUMES NO LIABILITY FOR MISUSE OR ABUSE OF PRODUCT. SPECIFIC WARRANTY INFORMATION IS AVAILABLE UPON REQUEST.

THIRD ANGLE PROJECTION 

EXERGY HEAT TRANSFER SOLUTIONS
 320 ENDO BLVD. GARDEN CITY, NY 11530
 USA (516)832-9300 www.exergyllc.com

**SHELL & TUBE HEAT EXCHANGER
 35 SERIES SANITARY
 SINGLE TUBESHEET**

MODEL NO. **00455 - #**

DATE 12/13/2018 SCALE 1:2 SHEET 2 OF 2